

SECURITY FITTING

GRANDE – PANIK

- Compatible with wide range of panic mortise locks
- Suitable for escape routes according to EN 179
- High durability, tested to 200 000 cycles
- Each handle is firmly attached to the plate
- With square spindle 8x8 mm, included spindle reduction 9x9 mm (10x10 mm on request)
- Door thickness **50-60 mm**
- Spring loaded handles on both sides
- Finish: stainless steel satin
- **Variant: right, left**
- **Pitch: 92 mm**



BK 807 GRANDE - PANIK

Certificates:

- EN 179 and EN 1906
- Resistant Class 3



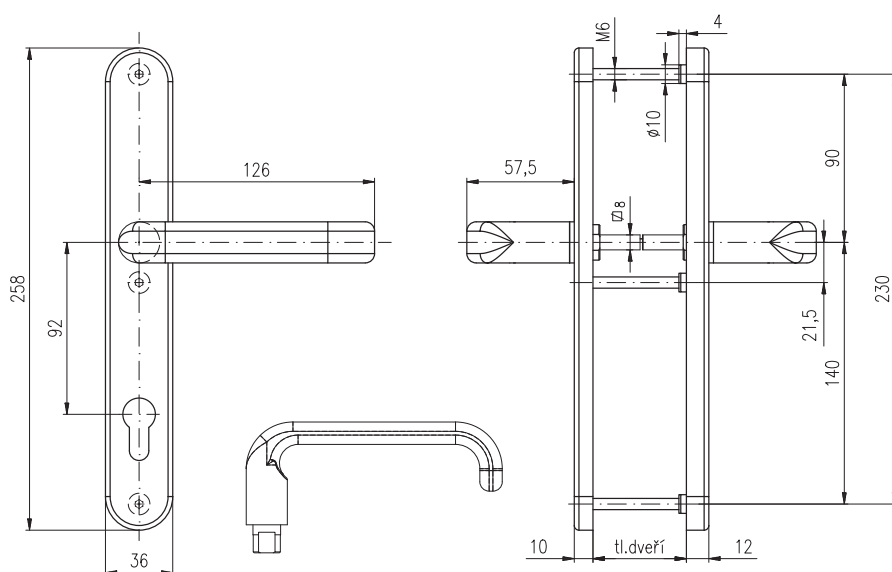
escape route



200 000 cycles



Resistant Class 3 (RC.3)



SECURITY FITTING

GRANDE

- Compatible with wide range of mortise locks
- High durability, tested to 200 000 cycles
- Reversible spring for handle (variant handle-handle: Spring loaded handles on both sides)
- Door thickness 40-50 mm
- Finish: stainless steel satin
- **Variant: right, left**
- **Pitch: 90, 72 mm**



BK 802 GRANDE



BK 807 GRANDE

Certificates:

- EN 1906
- Resistant Class 3



200 000 cycles



Resistant Class 3 (RC.3)